

## DC disconnector (DD series)

### 1. Ratings for 2000A

Basic type	DD-2RH	DD-2LH	DD-2RL	DD-2LL
Rated voltage	DC1500V			
Rated current	2000A			
Rated short-time current	AC25kA 2seconds (Peak value 62.5kA)			
Insulation class	Class No.3 B			
Mass	12kg		11kg	

### 2. Ratings for 3000A

Basic type	DD-3RH	DD-3LH	DD-3RL	DD-3LL
Rated voltage	DC1500V			
Rated current	3000A			
Rated short-time current	AC25kA 2seconds (Peak value 62.5kA)			
Insulation class	Class No.3 B			
Mass	15kg		14kg	

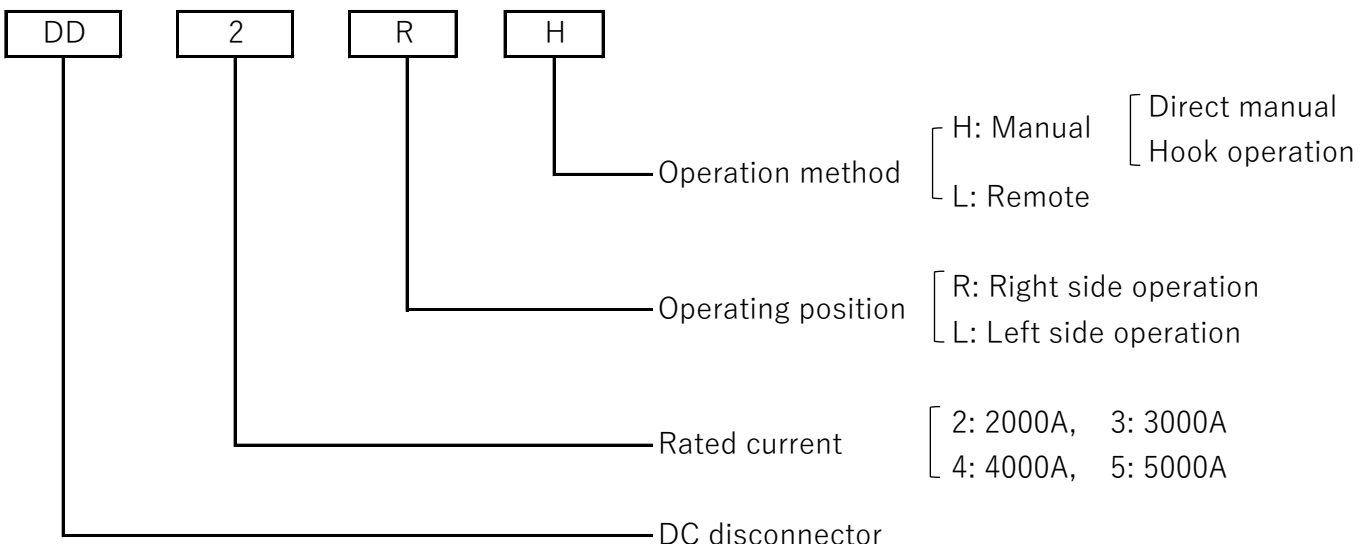
### 3. Ratings for 4000A

Basic type	DD-4RH	DD-4LH	DD-4RL	DD-4LL
Rated voltage	DC1500V			
Rated current	4000A			
Rated short-time current	AC40kA 2seconds (Peak value 100kA)			
Insulation class	Class No.3 B			
Mass	23kg		22kg	

### 4. Ratings for 5000A

Basic type	DD-5RH	DD-5LH	DD-5RL	DD-5LL
Rated voltage	DC1500V			
Rated current	5000A			
Rated short-time current	AC40kA 2seconds (Peak value 100kA)			
Insulation class	Class No.3 B			
Mass	26kg		25kg	

<Reference> The basic type in the table conforms to the following.



# DC disconnector (DDB series)

\*For low current switching

## 1. Ratings for 2000A, 3000A

Basic type	DDB-2RL	DDB-2LL	DDB-3RL	DDB-3LL
Rated voltage	DC1500V			
Rated current	2000A		3000A	
Rated short-time current	AC25kA 2seconds (Peak value 62.5kA)			
Insulation class	Class No.3 B			
Switching capacity	DC1500V 25A(1500times)			
Mass	13kg		16kg	

## 2. Ratings for 4000A, 5000A

Basic type	DDB-4RL	DDB-4LL	DDB-5RL	DDB-5LL
Rated voltage	DC1500V			
Rated current	4000A		5000A	
Rated short-time current	AC25kA 2seconds (Peak value 62.5kA)			
Insulation class	Class No.3 B			
Switching capacity	DC1500V 25A(1500times)			
Mass	24kg		27kg	

<Reference> The basic type in the table conforms to the following.

